

# Technical data sheet

## Product features



### Vacuum packing machine 20 m3/h, 460 mm + gas kit

<b>Model</b>	<b>SAP Code</b>	00013551
--------------	-----------------	----------



- Vacuum pump power [m3/h]: 20
- Length of sealing bar [mm]: 460
- Width of internal part [mm]: 470
- Depth of internal part [mm]: 530
- Height of internal part [mm]: 210
- Control type: Digital
- Gas flush: Yes
- Number of programs: 10
- Sealing time adjustment: Yes
- Vacuum time adjustment: Yes
- Lid security element: Yes
- Manometer: Yes

<b>SAP Code</b>	00013551	<b>Loading</b>	230 V / 1N - 50 Hz
<b>Net Width [mm]</b>	545	<b>Vacuum pump power [m3/h]</b>	20
<b>Net Depth [mm]</b>	655	<b>Length of sealing bar [mm]</b>	460
<b>Net Height [mm]</b>	540	<b>Width of internal part [mm]</b>	470
<b>Net Weight [kg]</b>	67.00	<b>Depth of internal part [mm]</b>	530
<b>Power electric [kW]</b>	0.750	<b>Height of internal part [mm]</b>	210

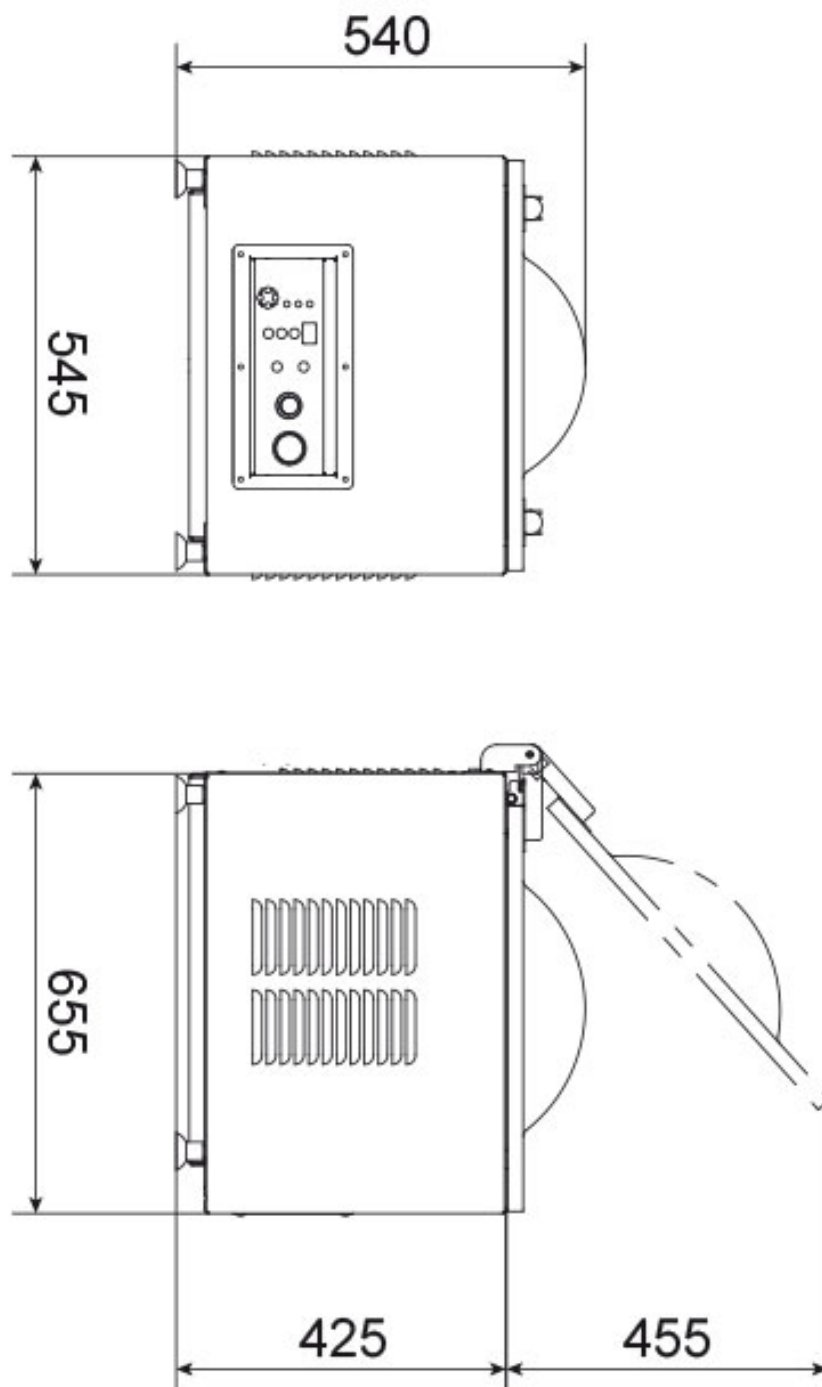
# Technical data sheet

Technical drawing



Vacuum packing machine 20 m<sup>3</sup>/h, 460 mm + gas kit

<b>Model</b>	<b>SAP Code</b>	00013551
--------------	-----------------	----------



# Technical data sheet

## Product benefits



### Vacuum packing machine 20 m3/h, 460 mm + gas kit

<b>Model</b>	<b>SAP Code</b>	00013551
--------------	-----------------	----------

- 1 Adjustable welding time**  
tighter packaging closure
  - greater security of closure
  - less error in operation
- 2 Convex plexiglass cover**  
greater variability of vacuuming
  - possibility to vacuum larger quantities at once
- 3 Stainless steel chamber**  
endurance  
easy maintenance
  - easy to maintain thanks to the stainless steel chamber
  - hygienic cleanliness
- 4 Softair slow return of air to the chamber**  
care for the product and the bag
  - softair eliminates the risk of damage to the bag and the vacuumed food, thus saving costs
- 5 Rubber feet**  
vibration elimination
  - nižší hlučnost zařízení
  - prodloužení životnosti
- 6 Inert gas**  
variability of use
  - safe vacuuming of even the most delicate foods  
seafood, fish...

# Technical data sheet

Technical parameters



## Vacuum packing machine 20 m3/h, 460 mm + gas kit

**Model**

**SAP Code**

00013551

**1. SAP Code:**

00013551

**2. Net Width [mm]:**

545

**3. Net Depth [mm]:**

655

**4. Net Height [mm]:**

540

**5. Net Weight [kg]:**

67.00

**6. Gross Width [mm]:**

700

**7. Gross depth [mm]:**

700

**8. Gross Height [mm]:**

620

**9. Gross Weight [kg]:**

96.00

**10. Device type:**

Electric unit

**11. Material:**

Stainless steel

**12. Power electric [kW]:**

0.750

**13. Loading:**

230 V / 1N - 50 Hz

**14. Control type:**

Digital

**15. Safety cover:**

transparent plexiglass

**16. Safety element:**

lid opening fuse

**17. Main switch:**

Yes

**18. Timer:**

Yes

**19. Gas flush:**

Yes

**20. Vacuum pump power [m3/h]:**

20

**21. Length of sealing bar [mm]:**

460

**22. Number of programs:**

10

**23. Sealing time adjustment:**

Yes

**24. Vacuum time adjustment:**

Yes

**25. Lid security element:**

Yes

**26. Manometer:**

Yes

**27. Width of internal part [mm]:**

470

**28. Depth of internal part [mm]:**

530

# Technical data sheet

Technical parameters



Vacuum packing machine 20 m<sup>3</sup>/h, 460 mm + gas kit

**Model**

**SAP Code**

00013551

## 29. Height of internal part [mm]:

210